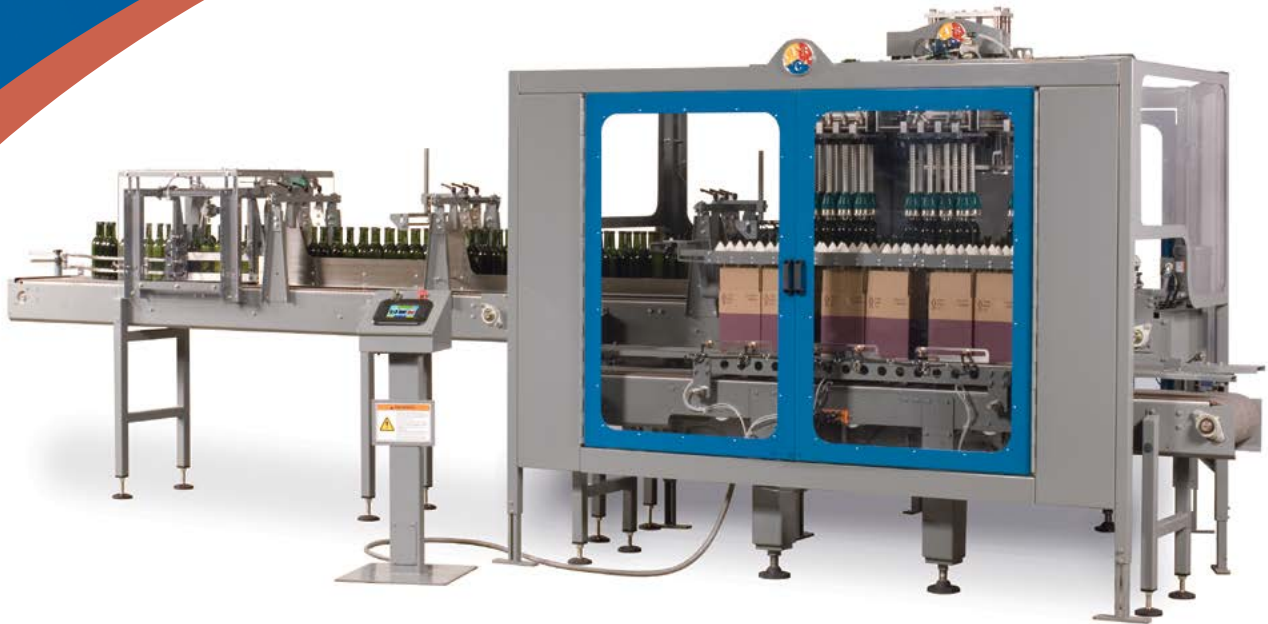




**A-B-C PACKAGING  
MACHINE CORPORATION**



UNCASING/PACKING



## Model 101 Pick & Place Packer/ Unpacker

Packer or uncaser for glass or plastic containers, cans or cartons

Synchronized servo operation keeps containers completely under control from conveyor to case:

- Gentle product handling and precise operation
- Many container handling devices available
- Intelligent Control for accurate placement

# Gentle no-drop handling for your containers

VIEW VIDEO



## Robotic motion provides gentle handling

- Servo operation provides precise handling, ensuring label and container integrity
- NO DROP- containers are released only upon contact with case or conveyor:
  - Improved bottle stability when handling lightweight plastic containers
  - Reduced risk of breakage when handling glass
  - Gentle handling of heavy, industrial-sized containers
  - Allows the option to 'thinwall' containers without sacrificing packaging performance

## Intelligent Control for top performance

- Non-contact sensors monitor machine operation, providing instant response to changing conditions
- All machine actions are controlled by PLC for precise operation
- Robot head is programmed to travel the shortest path from case to conveyor and back, for maximum efficiency



## Touch screen panel gives you total control

The touch screen control panel puts real-time operating data at your fingertips and offers simple, request-confirm sequences for revising production parameters or machine diagnostics. All functions may be operated independently from the touch screen, with return to automatic operation at any time.



## Designed for quick changeover

To facilitate the fastest changeover for every customer, A-B-C provides complete gripper assemblies or an adjustable head, depending on the application. Guide rails are adjusted by locking slides.

Changeover settings are completed at the touchscreen control panel by simply choosing the new container size.



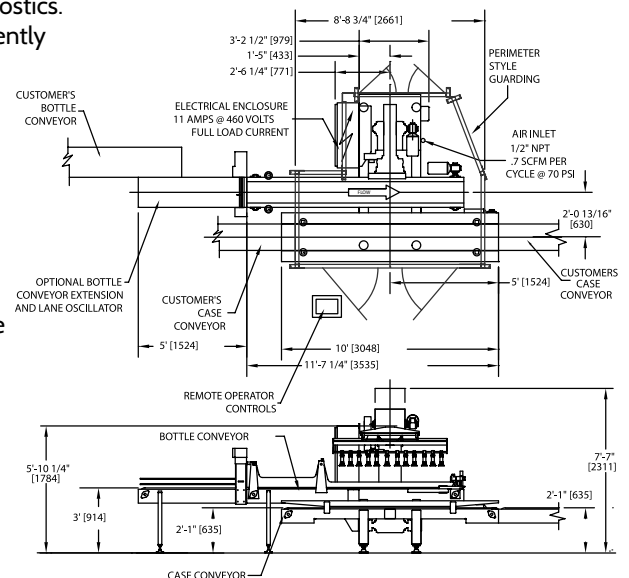
- Reliable
- Versatile with quick changeover
- Features to ensure container integrity
- Compact design

## Quality features make a better machine:

- Heavy gauge steel frame
- Intelligent Control (PLC) of all machine functions
- Solid state proximity sensors with quick-disconnect fittings
- Photo eyes w/background suppression
- Color touchscreen control panel
- Manual operation of all functions
- SEW Eurodrive® motor for main horizontal movement
- Servo motor for vertical head movement
- VFD control of A/C motors

## Many container handling devices

A full range of pickup devices are offered to handle many different container types. Pneumatic, vacuum or mechanical grippers may be used depending on the product requirements.



All information in this brochure was current at time of printing, however, in the continuing effort to improve the quality and construction of A-B-C equipment, we reserve the right to make changes without notice.

C-134-12/17



**A-B-C PACKAGING  
MACHINE CORPORATION**



ERECTORS



PACKERS



SEALERS



PARTITIONERS



PALLETIZERS



DEPALLETIZERS



DECASERS

811 Live Oak Street, Tarpon Springs, FL 34689 • 727-937-5144 • Fax 727-938-1239 • [www.abcpackaging.com](http://www.abcpackaging.com)